



# MASTER LEDspot MV

MAS LEDspotMV VLE D 4.3-50W GU10 830 25D

Delivering a warm, halogen-like accent beam, MASTER LEDspot MV is a perfect fit for spot lighting (track, corridors, lift lobbies, display cases and cabinets) in the hospitality industry. It is particularly suitable to public areas where the light is on 24/7, such as lobbies, corridors, stairwells. MASTER LEDspot MV delivers huge energy savings and minimizes maintenance cost without any compromise on brightness, enabling hospitality owners to achieve a return on their investment within one year. These LEDspots are compatible with most existing fixtures with a GU10 holder and designed as a retrofit replacement for halogen or incandescent spots. The dimmable versions drive further efficiencies, while helping to create the desired atmosphere.

## Product data

### • General Information

Cap-Base	GU10 [ GU10]
Bulb Shape	PAR16 [ PAR 2 inch]
Nominal Lifetime (Nom)	35000 h
Switching Cycle	50000X
Technical Type	4.3-50W

### • Light Technical

Color Code	830 [ CCT of 3000K]
Beam Angle (Nom)	25 °
Light Distribution	Medium beam 25°
Luminous Flux (Nom)	390 lm
Luminous Flux (Rated) (Nom)	390 lm
Luminous Intensity (Nom)	1400 cd
Color Designation	Warm White (WW)
Rated Beam Angle	25 °
Correlated Color Temperature (Nom)	3000 K
Luminous Efficacy (rated) (Nom)	84.88 lm/W
Color Consistency	<6
Color Rendering Index (Nom)	80
LLMF At End Of Nominal Lifetime (Nom)	70 %
Luminous Flux In 90° Cone (Rated)	365 lm

### • Operating and Electrical

Input Frequency	50 to 60 Hz
Power (Rated) (Nom)	4.3 W
Lamp Current (Nom)	23 mA
Wattage Equivalent	50 W
Starting Time (Max)	0.5 s
Warm Up Time To 60% Light (Nom)	instant full light
Power Factor (Nom)	0.7
Voltage (Nom)	220-240 V

### • Temperature

T-Case Maximum (Nom)	83 °C
----------------------	-------

### • Controls and Dimming

Dimmable	Yes
----------	-----

### • Approval and Application

Suitable For Accent Lighting	Yes
Energy Efficiency Label (EEL)	A++
Energy Consumption kWh/1000 h	5 kWh

**PHILIPS**

# MASTER LEDspot MV

## • Product Data

Full product code 871869643844200  
Order product name MAS LEDspotMV VLE D 4.3-50W  
GU10 830 25D  
EAN/UPC - Product 8718696438442  
Order code 929001130202

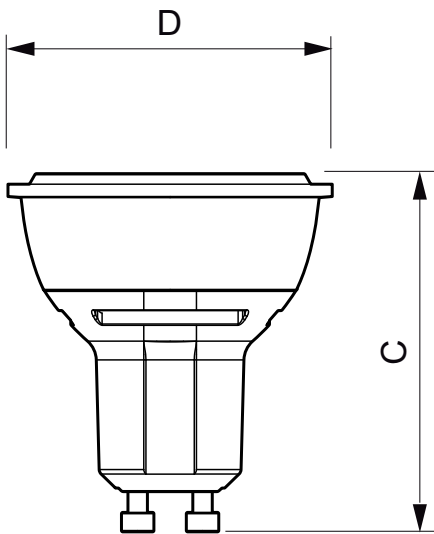
Numerator - Quantity Per Pack 1  
Numerator - Packs per outer box 10  
Material Nr. (12NC) 929001130202  
Net Weight (Piece) 0.036 kg

## Warnings and Safety

- Operating temperature range is between -20° C and 45° C ambient

- Only to apply in dry or damp locations and most of open fixtures with lamp-holders that offer sufficient space (10 mm free air space)
- Not intended for use with emergency light fixtures or exit lights

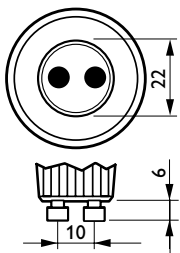
## Dimensional drawing



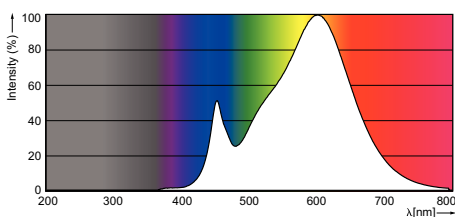
3.5-35W, 4-35W, 4.3-50W, 4.5-50W, 5.4-50W, 5.5-50W, 6-50W GU10

## LED VLE D 4.3-50W GU10 830 25D

Product	D	C
MAS LEDspotMV VLE D 4.3-50W GU10 830 25D	50 mm	55 mm



## Photometric data





© 2016 Philips Lighting Holding B.V.  
All rights reserved.

Specifications are subject to change without notice. Trademarks are the property of Koninklijke Philips N.V. (Royal Philips) or their respective owners.

[www.philips.com/lighting](http://www.philips.com/lighting)

2016, October 24  
data subject to change