



MASTER LED Spot DimTone

MAS LEDspotMV DimTone 4-35W GU10 40D

DimTone takes dimming to an exciting next level with a beautiful, sunset-like effect. As the light is dimmed, DimTone reduces the color temperature from 2700 to 2200 K. This creates a warm, intimate ambience at low light levels, with the same effect as dimmed halogens or incandescent lamps. So hotel, bar, restaurant and home owners can take advantage of energy-saving LED lighting and still create a natural, cozy ambience.

Product data

• General Information

Cap-Base	GU10
Bulb Shape	PAR16 [PAR 2 inch]
Nominal Lifetime (Nom)	50000 h
Switching Cycle	50000X
Technical Type	4-35W

• Light Technical

Color Code	822-827 [tunable warm white]
Beam Angle (Nom)	40 °
Light Distribution	Wide beam 40°
Luminous Flux (Nom)	305 lm
Luminous Flux (Rated) (Nom)	305 lm
Luminous Intensity (Nom)	600 cd
Color Designation	Warm White (WW)
Rated Beam Angle	40 °
Correlated Color Temperature (Nom)	2200-2700 K
Luminous Efficacy (rated) (Nom)	70.00 lm/W
Color Consistency	<6
Color Rendering Index (Nom)	80
LLMF At End Of Nominal Lifetime (Nom)	70 %
Luminous Flux In 90° Cone (Rated)	280 lm

• Operating and Electrical

Input Frequency	50 to 60 Hz
-----------------	-------------

Power (Rated) (Nom)	4 W
Lamp Current (Nom)	22 mA
Wattage Equivalent	35 W
Starting Time (Max)	0.5 s
Warm Up Time To 60% Light (Nom)	instant full light
Power Factor (Nom)	0.5
Voltage (Nom)	220-240 V

• Temperature

T-Case Maximum (Nom)	70 °C
----------------------	-------

• Controls and Dimming

Dimmable	Yes
----------	-----

• Approval and Application

Suitable For Accent Lighting	Yes
Energy Efficiency Label (EEL)	A+
Energy Consumption kWh/1000 h	4 kWh

• Product Data

Full product code	871869643830500
Order product name	MAS LEDspotMV DimTone 4-35W GU10 40D
EAN/UPC - Product	8718696438305
Order code	929001130702
Numerator - Quantity Per Pack	1

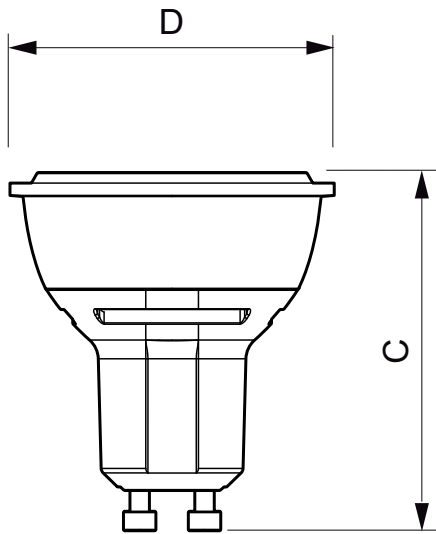
PHILIPS

MASTER LED Spot DimTone

Numerator - Packs 10
per outer box

Material Nr. (12NC) 929001130702
Net Weight (Piece) 0.036 kg

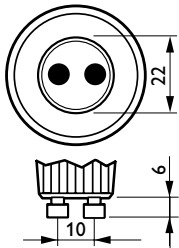
Dimensional drawing



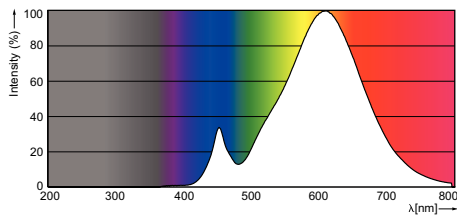
LED DimTone 4-35W GU10 40D

Product	D	C
MAS LEDspotMV DimTone 4-35W GU10 40D	50 mm	55 mm

3.5-35W, 4-35W, 4.3-50W, 4.5-50W, 5.4-50W, 5.5-50W, 6-50W GU10



Photometric data



© 2016 Philips Lighting Holding B.V.
All rights reserved.

Specifications are subject to change without notice. Trademarks are the property of Koninklijke Philips N.V. (Royal Philips) or their respective owners.

www.philips.com/lighting

2016, August 29
data subject to change