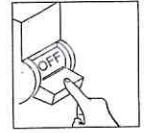
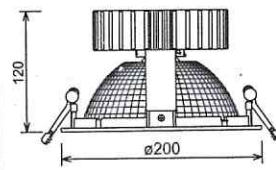




# INSTALLATION MANUAL

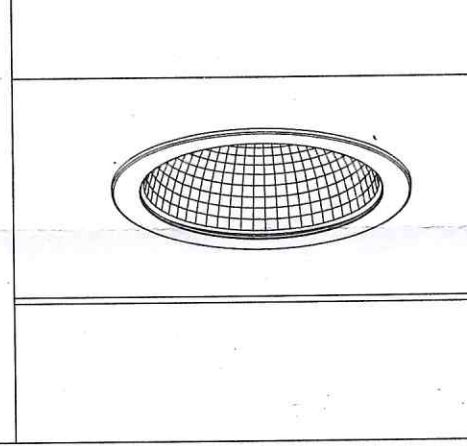
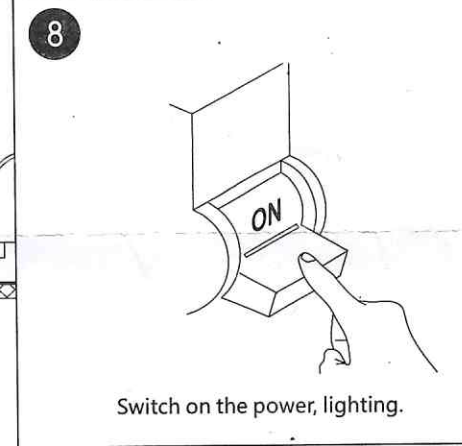
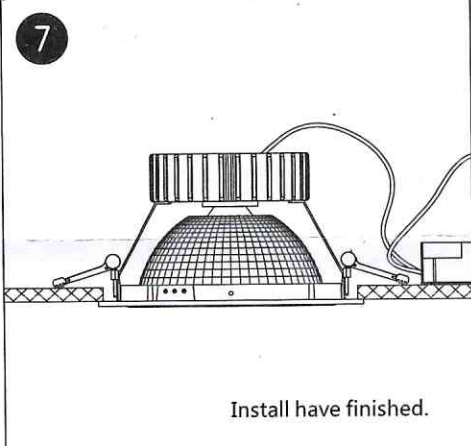
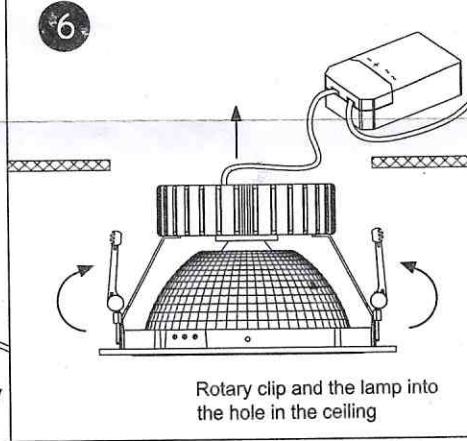
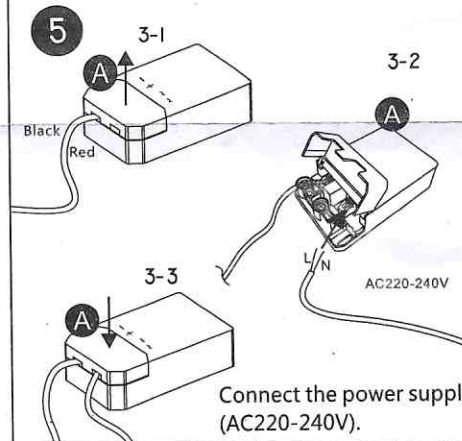
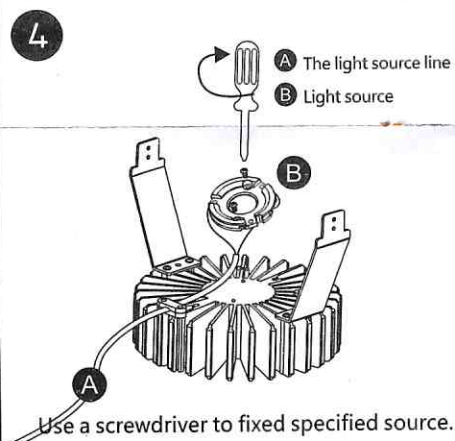
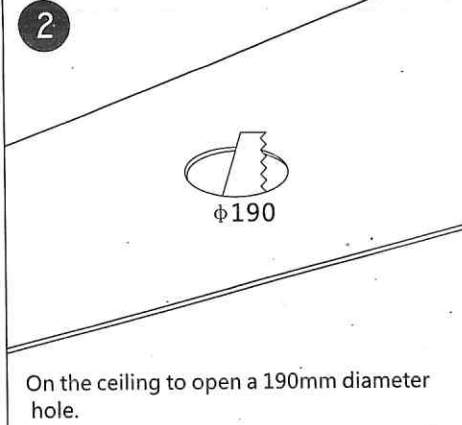
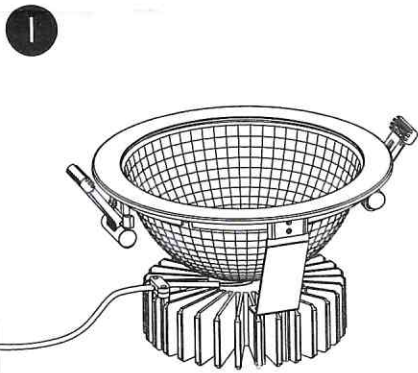
LED WOWNLIGHT



Do not operate with power supply connected.

AC220-240V | 50/60Hz | IP20 | Die cast

source:  
Power:



## Warnings:

1. Make sure that the product is installed properly before connecting to electricity.
2. Do not cover the fitting.
3. Maintenance and installation should only be carried out by a professional electrician.